

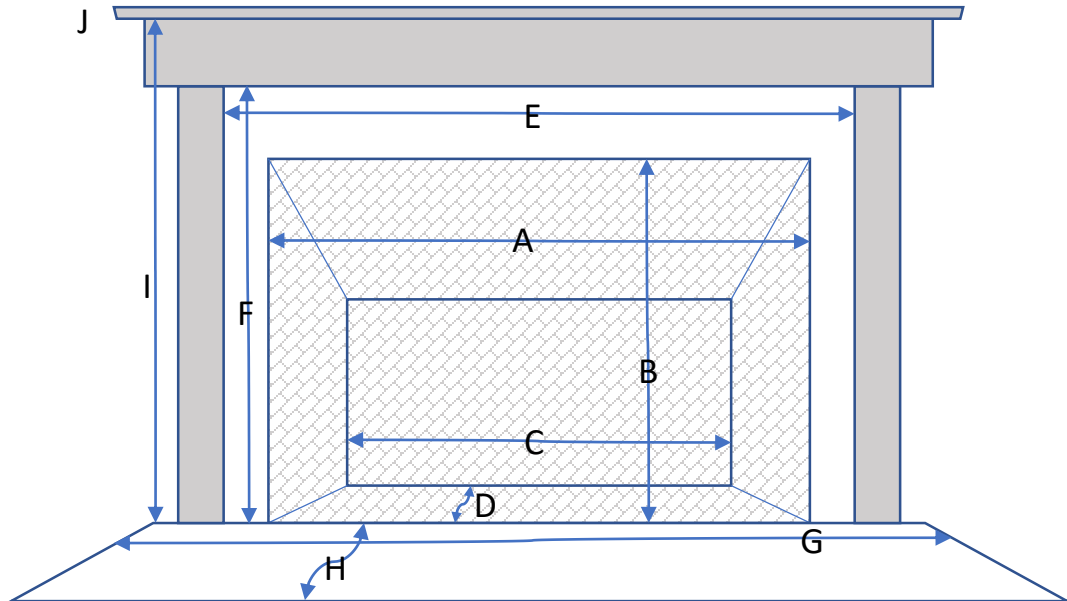


- 790 Bald Hill Rd, Warwick RI 02886 | 844-401-2876
- 1470 Washington St, Holliston MA 01746 | 844-508-2876
- 1030 State Rd, Westport MA 02790 | 844-774-2876
- www.hearthsidepatio.com

Fireplace Measurement Form

Email back to your sales representative, or salesteam@hearthcorp.com

Letter	Description	Measurement
A	Firebox Opening Width	
B	Firebox Opening Height	
C	Backwall Width	
D	Firebox Depth	
E	Opening Between Mantel Legs	
F	Height to Start of Mantel	
G	Hearth Width	
H	Hearth Depth	
I	Height to Mantel Shelf	
J	Mantel Shelf Depth	



Name: _____
 Email: _____
 Phone: _____
 Address: _____